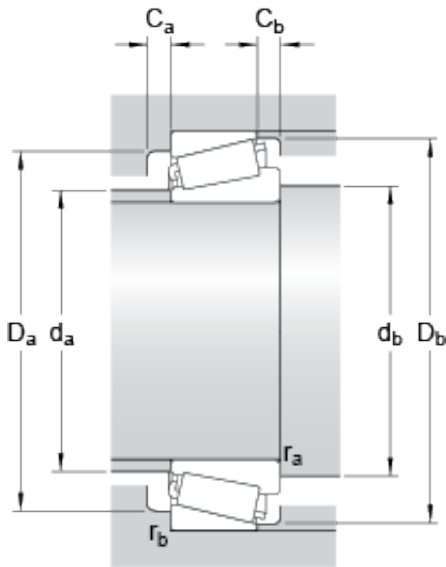




# NUP BEARING LTD

762 mm x 889 mm x 69.85 mm skf LL  
483449/418 Single row tapered roller bearings

Bearing No. LL 483449/418



LL 483449/418 Bearing 2D drawings and 3D CAD models

Dimension series	LL 483400
d	762 mm
D	889 mm
T	69.85 mm
d <sub>1</sub>	819.15 mm
B	69.85 mm
C	50.8 mm
r <sub>1,2</sub> min.	3.3 mm
r <sub>3,4</sub> min.	3.3 mm
a	132 mm
d <sub>a</sub> max.	785 mm
d <sub>b</sub> min.	779 mm
D <sub>a</sub> min.	844 mm
D <sub>a</sub> max.	872 mm
D <sub>b</sub> min.	858 mm
C <sub>a</sub> min.	13 mm
C <sub>b</sub> min.	19 mm
r <sub>a</sub> max.	3.1 mm
r <sub>b</sub> max.	3.1 mm
Basic dynamic load rating C	1230 kN
Basic static load rating C <sub>0</sub>	3800 kN
Fatigue load limit P <sub>u</sub>	255 kN
Reference speed	380 r/min
Limiting speed	560 r/min
Calculation factor e	0.37



## NUP BEARING LTD

Calculation factor Y	1.6
Calculation factor $Y_0$	0.9
Mass bearing	66.5 kg