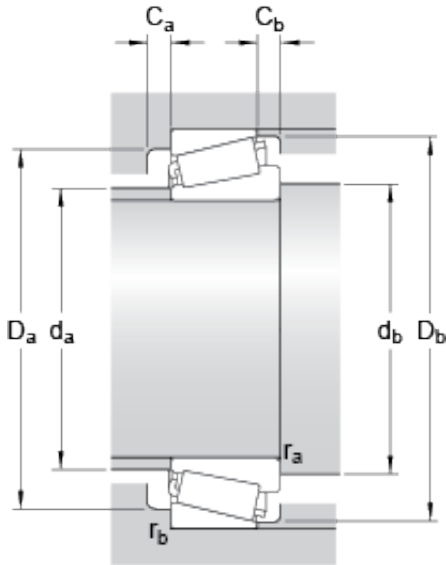




NUP BEARING LTD

198.298 mm x 279.4 mm x 49.212 mm skf
67981/67919 Single row tapered roller bearings

Bearing No. 67981/67919



67981/67919 Bearing 2D drawings and 3D CAD models

Dimension series	67900
d	198.298 mm
D	279.4 mm
T	46.038 mm
d ₁	246.4 mm
B	49.212 mm
C	36.512 mm
r _{1,2} min.	3.5 mm
r _{3,4} min.	3.3 mm
a	60.556 mm
d _a max.	223 mm
d _b min.	215 mm
D _a min.	254 mm
D _a max.	264.5 mm
D _b min.	272 mm
C _a min.	8 mm
C _b min.	9.5 mm
r _a max.	3.5 mm
r _b max.	3.3 mm
Basic dynamic load rating C	465 kN
Basic static load rating C ₀	830 kN
Fatigue load limit P _u	76.5 kN
Reference speed	1600 r/min
Limiting speed	2000 r/min
Calculation factor e	0.5



NUP BEARING LTD

Calculation factor Y	1.2
Calculation factor Y_0	0.7
Mass bearing	9.18 kg