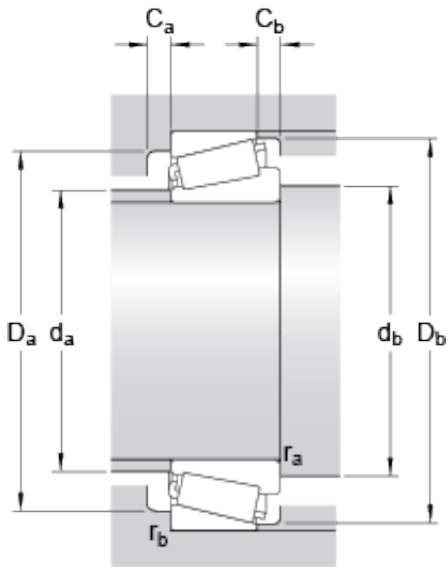




NUP BEARING LTD



344 A/332 Bearing 2D drawings and 3D CAD models

40 mm x 80 mm x 22.403 mm skf 344 A/332
Single row tapered roller bearings

Bearing No. 344 A/332

Dimension series	335
d	40 mm
D	80 mm
T	21 mm
d ₁	57.6 mm
B	22.403 mm
C	17.826 mm
r _{1,2} min.	0.8 mm
r _{3,4} min.	1.3 mm
a	14.651 mm
d _a max.	50 mm
d _b min.	47 mm
D _a min.	72 mm
D _a max.	73 mm
D _b min.	75 mm
C _a min.	4 mm
C _b min.	3 mm
r _a max.	0.8 mm
r _b max.	1.3 mm
Basic dynamic load rating C	87.6 kN
Basic static load rating C ₀	80 kN
Fatigue load limit P _u	9.15 kN
Reference speed	7000 r/min
Limiting speed	8500 r/min
Calculation factor e	0.27



NUP BEARING LTD

Calculation factor Y	2.2
Calculation factor Y_0	1.3
Mass bearing	0.48 kg