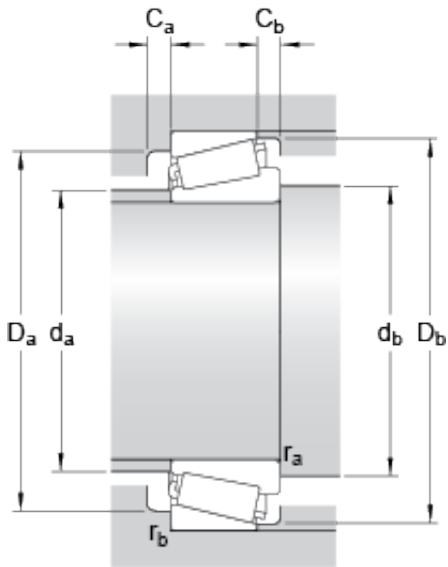




# NUP BEARING LTD

25.4 mm x 57.15 mm x 19.431 mm skf M  
84548/510 Single row tapered roller bearings



Bearing No. M 84548/510

M 84548/510 Bearing 2D drawings and 3D CAD models

Dimension series	M 84500
d	25.4 mm
D	57.15 mm
T	19.431 mm
d <sub>1</sub>	42.5 mm
B	19.431 mm
C	14.732 mm
r <sub>1,2</sub> min.	1.5 mm
r <sub>3,4</sub> min.	1.5 mm
a	15.749 mm
d <sub>a</sub> max.	33 mm
d <sub>b</sub> min.	33.5 mm
D <sub>a</sub> min.	45 mm
D <sub>a</sub> max.	50.5 mm
D <sub>b</sub> min.	53 mm
C <sub>a</sub> min.	3 mm
C <sub>b</sub> min.	4.5 mm
r <sub>a</sub> max.	1.5 mm
r <sub>b</sub> max.	1.5 mm
Basic dynamic load rating C	48.8 kN
Basic static load rating C <sub>0</sub>	45 kN
Fatigue load limit P <sub>u</sub>	5 kN
Reference speed	10000 r/min
Limiting speed	12000 r/min
Calculation factor e	0.54



## NUP BEARING LTD

Calculation factor Y	1.1
Calculation factor $Y_0$	0.6
Mass bearing	0.24 kg