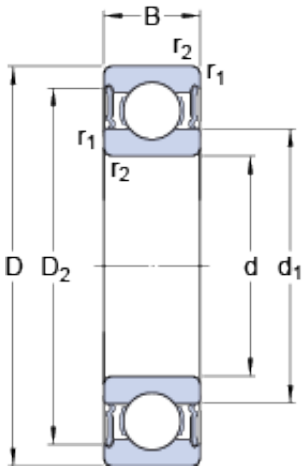




# NUP BEARING LTD



30 mm x 55 mm x 19 mm skf 63006-2RS1 Deep groove ball bearings

Bearing No. 63006-2RS1

63006-2RS1 Bearing 2D drawings and 3D CAD models

Size	55x30x19 mm
Bore Diameter	55 mm
Outer Diameter	30 mm
Width	19 mm
d	30 mm
D	55 mm
B	19 mm
d <sub>1</sub>	38.2 mm
D <sub>2</sub>	49 mm
r <sub>1,2</sub> - min.	1 mm
d <sub>a</sub> - min.	34.6 mm
d <sub>a</sub> - max.	38.1 mm
D <sub>a</sub> - max.	50.4 mm
r <sub>a</sub> - max.	1 mm
Basic dynamic load rating - C	13.3 kN
Basic static load rating - C <sub>0</sub>	8.3 kN
Fatigue load limit - P <sub>u</sub>	0.355 kN
Limiting speed	8000 r/min
Calculation factor - k <sub>r</sub>	0.025
Calculation factor - f <sub>0</sub>	15
Category	Single Row Ball Bearings
Inventory	5.0
Manufacturer Name	SKF
Minimum Buy Quantity	N/A



## NUP BEARING LTD

Weight / Kilogram	0.178
EAN	7316577736574
Product Group	B00308
Enclosure	2 Seals
Precision Class	ABEC 1   ISO P0
Maximum Capacity / Filling Slot	No
Rolling Element	Ball Bearing
Snap Ring	No
Internal Special Features	No
Cage Material	Steel
Enclosure Type	Contact Seal
Internal Clearance	C0-Medium
Inch - Metric	Metric
Long Description	30MM Bore; 55MM Outside Diameter; 19MM Outer Race Diameter; 2 Seals; Ball Bearing; ABEC 1   ISO P0; No Filling Slot; No Snap Ring; No Internal Special Features
Other Features	Cartridge Bearing
Category	Single Row Ball Bearing
UNSPSC	31171504
Harmonized Tariff Code	8482.10.50.68
Noun	Bearing
Keyword String	Ball
Manufacturer URL	<a href="http://www.skf.com">http://www.skf.com</a>
Manufacturer Item Number	63006-2RS1
Weight / LBS	0.392
Bore	1.181 Inch   30 Millimeter
Outside Diameter	2.165 Inch   55 Millimeter
Outer Race Width	0.748 Inch   19 Millimeter
bore diameter:	30 mm



## NUP BEARING LTD

static load capacity:	8.3 kN
outside diameter:	55 mm
precision rating:	Not Rated
overall width:	19 mm
finish/coating:	Uncoated
bore type:	Round
cage material:	Steel
closure type:	Double Sealed
outer ring width:	19 mm
row type & fill slot:	Single Row Non-Fill Slot
fillet radius:	1 mm
internal clearance:	C0
maximum rpm:	8000 RPM
operating temperature range:	-40 to +210 ° F
series:	63
dynamic load capacity:	13.3 kN
$d_1$	38.2 mm
$D_2$	49 mm
$r_{1,2}$ min.	1 mm
$d_a$ min.	34.6 mm
$d_a$ max.	38.1 mm
$D_a$ max.	50.4 mm
$r_a$ max.	1 mm
Basic dynamic load rating C	13.3 kN
Basic static load rating $C_0$	8.3 kN
Fatigue load limit $P_u$	0.355 kN
Calculation factor $k_r$	0.025
Calculation factor $f_0$	15
Mass bearing	0.17 kg